

# signatrol



## TEMPMATE-i1

**SINGLE-USE TEMPERATURE DATA LOGGER FOR COLD CHAIN MONITORING**

The tempmate-i1 indicators have 3 LED's onboard for indicating the alarm status easily, so no further software or hardware is required to check the condition of the goods. It is a reliable and low cost temperature indicator for cold chain monitoring.

[info@signatrol.com](mailto:info@signatrol.com) • 01684 299 399 • [signatrol.com](http://signatrol.com)

## SINGLE-USE TEMPERATURE DATA LOGGER FOR COLD CHAIN MONITORING

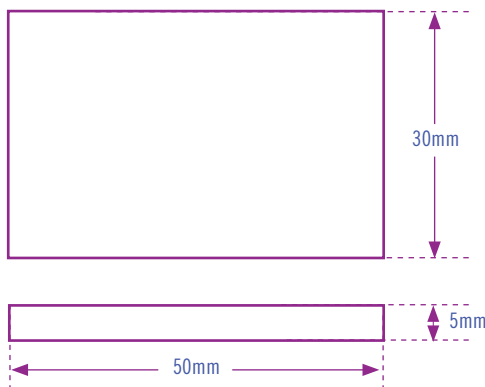
### YOUR BENEFITS AT A GLANCE

- Product-related temperature monitoring along the entire cold chain
- Cost-effective and reliable
- Smart design, intuitive operation
- Waterproof and food compatible
- No additional hardware or software required
- Storage time 4 years

Curious about your cold chain? tempmate i1 continuously monitors all relevant data.

Tempmate-i1 indicators are specially designed for temperature monitoring in pharmaceutical cold chain logistics. As pre-programmed device tempmate-i1 can be instantly used to control your temperature sensitive consignment. By comparison to chemical indicators, the 3 LED's at the frontside of the electronic indicator gives you a fast and clear feedback of your goods condition.

ACTUAL SIZE



# TECHNICAL SPECIFICATIONS

<b>RECORDING OPTIONS</b>	Single-Use
<b>TEMPERATURE RANGE</b>	-20°C to 50°C (-4°F to 122°F)
<b>TEMPERATURE ACCURACY</b>	±0.5°C/0.9°F
<b>TEMPERATURE RESOLUTION</b>	0.1 °C / °F
<b>ALARM INDICATOR</b>	red, green and blue LED
<b>SHELF LIFE / BATTERY</b>	4 years / 3.0 v lithium battery
<b>RECORDING INTERVAL</b>	1 minute
<b>RUNTIME</b>	up to 180 days
<b>STARTUP MODE</b>	Break-Off-Tab
<b>START DELAY / ALARM DELAY</b>	Programmable
<b>ALARM EVENT</b>	Single / Cumulative (Programmable)
<b>DIMENSIONS</b>	50 mm × 33 mm × 5 mm (L × W × H)
<b>WEIGHT</b>	approx. 10 g
<b>CERTIFICATIONS</b>	EN 12830, CE, RoHS
<b>CALIBRATION</b>	3 Point Calibration
<b>PACKAGING</b>	Foodgrade PA/PE packaging
<b>PROTECTION CLASS</b>	IP67 / NEMA 6

## PART NUMBER SELECTION

<b>i1</b>	Product
<b>C</b>	Temperature Unit Celsius or F = Fahrenheit
<b>S</b>	Alarm Type Single Event or C = Cumulative
<b>1</b>	Alarm Limits (1=+2to+8°C; 2=+0to+15°C; 3=+15to+25°C)
<b>0</b>	0 min Start Delay or 1 = 10 min
<b>0</b>	0 min Alarm Delay or 1 = 10 min

## AVAILABLE CONFIGURATIONS

<b>i1CS100</b>	+2 to +8°C no start delay, no alarm delay
<b>i1CS110</b>	+2 to +8°C start delay 10 mins, no alarm delay
<b>i1CS200</b>	0°C to +15°C no start delay, no alarm delay
<b>i1CS300</b>	+15°C to +25°C no start delay, no alarm delay
<b>i1CS400</b>	+1 to +40°C no start delay, no alarm delay

Every effort has been taken to ensure the accuracy of this specification and we reserve the right of amendment without prior notice.

info@signatrol.com ☎ 01684 299 399 ☎ signatrol.com